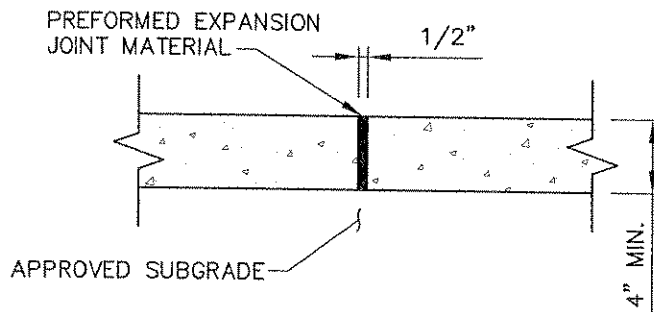



NOTES:

1. CONCRETE SHALL BE SHA MIX NO. 3.
2. CONTRACTION JOINTS AT 5'-0" INTERVALS.
3. EXPANSION JOINTS AT INTERVALS NOT GREATER THAN 20'-0".
4. ALL UNPAVED AREAS WITHIN STREET SIDELINES SHALL BE SEEDED OR SODDED PER SPECIFICATIONS.
5. SIDEWALKS AT DRIVEWAY LOCATIONS TO BE 6" THICK WITH 6" x 6" WOVEN WIRE MESH.
6. WHERE CONTINUOUS WIDTH OF TRAVEL IS LESS THAN 5'-0", PROVIDE SIDEWALK PASSING ZONES AT AN INTERVAL NOT TO EXCEED 200' CENTER TO CENTER. ENTRANCES SHALL BE ACCEPTABLE PASSING ZONES PROVIDED PAVING WIDTH OF 5'-0" IS MAINTAINED AT 48:1 (1/4" PER FT) SLOPE.



EXPANSION JOINT DETAIL

| | | | |
|--|---------|----------------------|---|
| APPROVAL | | REVISED | TOWN OF EASTON AND EASTON UTILITIES STANDARD DETAILS SIDEWALK |
|  TOWN ENGINEER | 3/26/07 | OCT 1, 88 | |
| | DATE | AUG 1, 94 | |
| | | FEB 1, 02 | |
| | | FEB 1, 06 | |
| | | MAR 26, 07 | |
| ISSUED: MAY 1, 1986 | | STANDARD NO. PW-3.00 | |

C:\dwg-files\Easton MD\DETAILS\PW-3.00.dwg Mar 30, 2007 - 3:51pm, (NORD)